

1	2	3	4	5	6	7	8	9
REV.	REMARK	DATE	SIGN.					
◇	CHANGE CONNECTOR & PCB	01/30/'13	Sino					

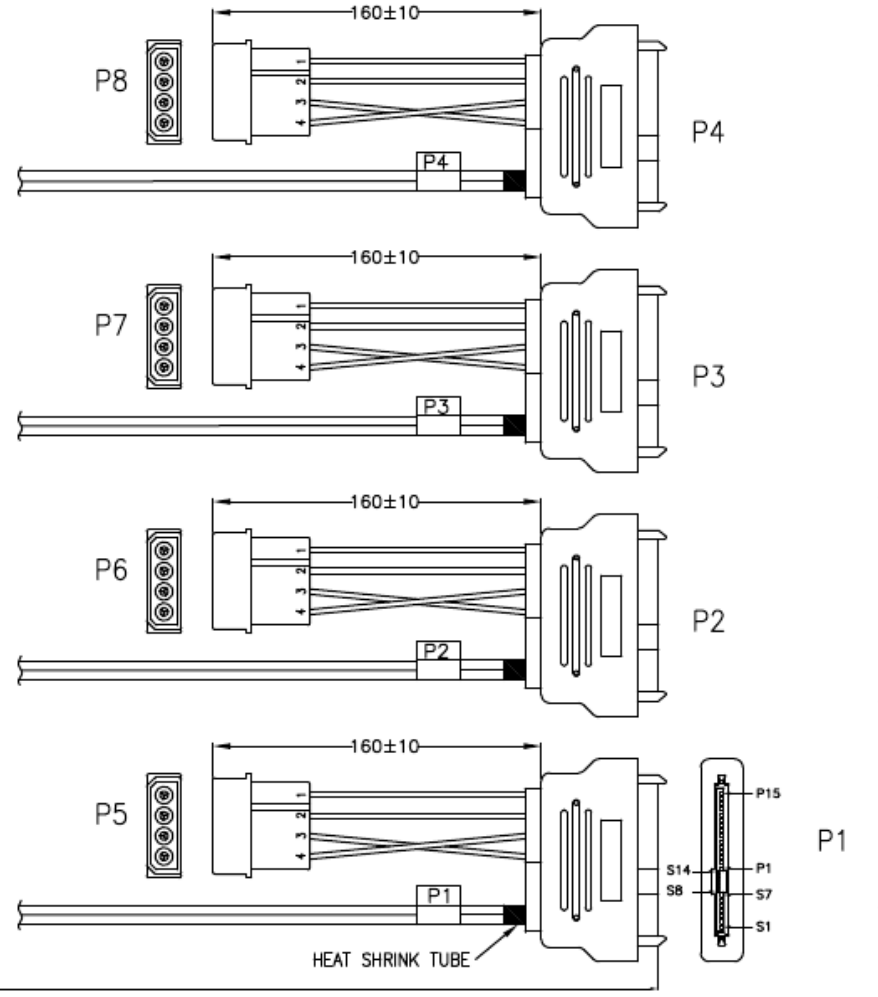
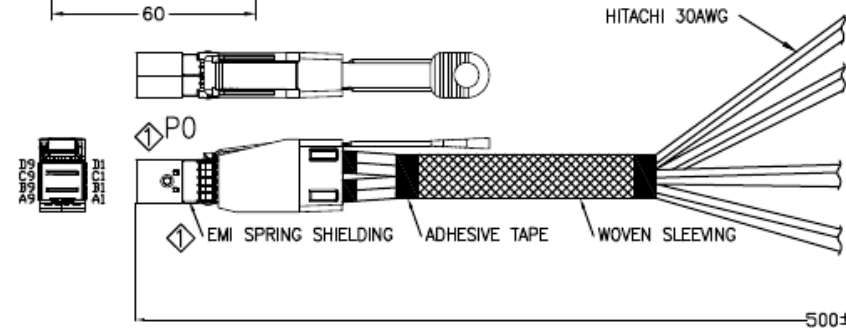
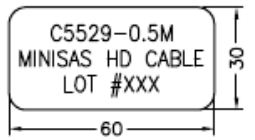
RoHS

MATERIAL RoHS COMPLIANT:

- 1.CABLE:
 ELECTRICAL:
 DIFFERENTIAL IMPEDANCE TDR: 100±5 OHMS
 CAPACITANCE: 50 pF/m nom.
 SKEW(within the pair-10 feet sample): 8 ps/m max
 COMPONENT:
 CONDUCTOR: 30 AWG SOLID TINNED COPPER. 010" NOM. OD
 PAIRS:
 TWO CONDUCTORS WIRES IN PARALLEL WITH TWO DRAINS
 APPROVALS:
 U.L. RECOGNIZES AWM STYLE 21578, 80°C, 150V. HITACHI

- 2.CONNECTOR:
 P0: Mini SAS HD 4x CABLE PLUG (SFF-8644)
 ◇ (1) P.C.B: 4 LAYERS, GOLD PLATING ON CONTACT PADS, WITHOUT CARBON
 (P/N: MPCB-040113LF REV.A / SPCB-040114A)
 (2) LATCH: STAINLESS STEEL
 (3) BACKSHELL- ZINC DIE CASTING HOOD/ NICKEL PLATING
 (4) PULL TAB: NYLON UL94V-0, COLOR: BLUE.
 ◇ (5) EMI SPRING SHIELDING
 P1~P4: SAS DRIVE REC.(SFF-8482)
 P5~P8: 4 POSITION DC POWER PLUG

3.LABELING ON BAG:



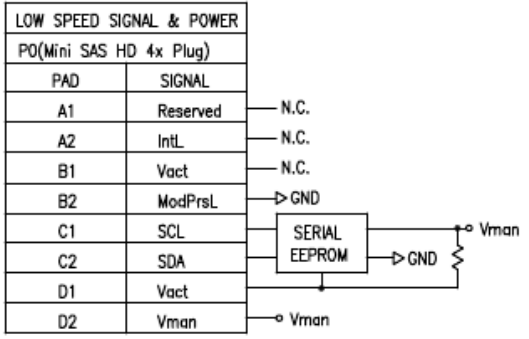
DataStorageCables.com	DESC.	Mini SAS HD 4x TO 4*SAS drive cable rec. with power cable ass'y	APPROVED	CHECKED	DESIGNED	TOLERANCE	SCALE	*	UNIT	mm	
	P/N	CUSTOMER P/N	C5529-0.5M		Sino		DATE	01/30/'13	DWG NO:	DWG\RC\5853	

1	2	3	4	5	6	7	8	9
---	---	---	---	---	---	---	---	---

1	2	3	4	5	6	7	8	9
REV.	REMARK	DATE	SIGN.					

WIRING DIAGRAM							
Mini SAS HD 4x (HOST)(P0)		SAS DRIVE CABLE REC.(TARGET)			4P POWER PLUG		
PIN	SIGNAL	rec.	PIN	SIGNAL	plug	PIN	SIGNAL
B4	RX0+	P1	S6	TP+	P5	1	+12V
B5	RX0-		S5	TP-		2	GND
D5	TX0-		S3	RP-		4	+5V
D4	TX0+		S2	RP+		3	GND
GND GROUP			S1,S4,S7	GND			
		P13,P14,P15	+12V				
		P10,P11,P12	GND				
		P7,P8,P9	+5V				
		P4,P5,P6	GND				
A4	RX1+	P2	S6	TP+	P6	1	+12V
A5	RX1-		S5	TP-		2	GND
C5	TX1-		S3	RP-		4	+5V
C4	TX1+		S2	RP+		3	GND
GND GROUP			S1,S4,S7	GND			
		P13,P14,P15	+12V				
		P10,P11,P12	GND				
		P7,P8,P9	+5V				
		P4,P5,P6	GND				
B7	RX2+	P3	S6	TP+	P7	1	+12V
B8	RX2-		S5	TP-		2	GND
D8	TX2-		S3	RP-		4	+5V
D7	TX2+		S2	RP+		3	GND
GND GROUP			S1,S4,S7	GND			
		P13,P14,P15	+12V				
		P10,P11,P12	GND				
		P7,P8,P9	+5V				
		P4,P5,P6	GND				
A7	RX3+	P4	S6	TP+	P8	1	+12V
A8	RX3-		S5	TP-		2	GND
C8	TX3-		S3	RP-		4	+5V
C7	TX3+		S2	RP+		3	GND
GND GROUP			S1,S4,S7	GND			
		P13,P14,P15	+12V				
		P10,P11,P12	GND				
		P7,P8,P9	+5V				
		P4,P5,P6	GND				

GND GROUP:
A3,A6,A9,B3,B6,B9,
C3,C6,C9,D3,D6,D9.



DataStorageCables.com	DESC.	Mini SAS HD 4x TO 4*SAS drive cable rec. with power cable ass'y	APPROVED	CHECKED	DESIGNED	TOLERANCE	SCALE	*	UNIT	mm	
	P/N	CUSTOMER P/N			Sino		DATE	11/22/'12	DWG NO:	DWG\RC\5853	

1	2	3	4	5	6	7	8	9
---	---	---	---	---	---	---	---	---