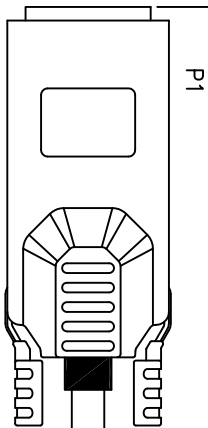
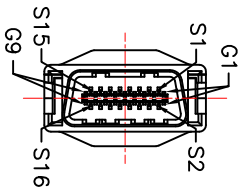
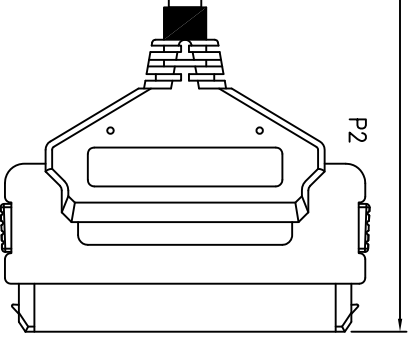


REV.	1	2	3
REMARK		DATE	SIGN.

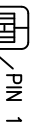
1000±30



AMPHENOL 30AWG



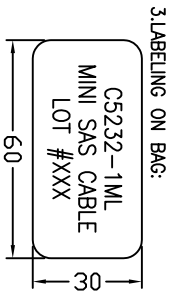
POLARIZING FEATURE



ROHS

MATERIAL ROHS COMPLIANT:

- 1.CABLE:
 PHYSICAL:
 1. AMPHENOL SPECTRA-STRIP
 8 PARS/ 6 SIDEBAND SIGNALS 30 AWG
 FOR SAS/ SATA INTERNAL CABLE
 2. ROHS COMPLIANT
 3. DIAMETER: 5mm
 ELECTRICAL:
 1. IMPEDANCE: 100±5 OHM (DIFFERENTIAL TDR)
 2. CAPACITANCE: 49 PF/M NOMINAL
 3. PROP. DELAY: 4.9 NS/M NOMINAL
 PRINT LEGEND:
 AMPHENOL SPECTRA-STRIP SKEW/CLEAR 8 PARS+6 SINGLES
 30 AWG AWG 20744 80C 30V VW 1 ROHS COMPLIANT
 2.CONNECTOR:
 P1: SAS 4X LATCH TYPE (SFF-8470)
 (1) BACKSHELL: ZINC DIE CAST/ NICKEL PLATING
 (2) CONTACTS: 30u" INCHES GOLD PLATING
 P2: SAS 4i 32PIN REC. VERTICAL TYPE (SFF-8484).



WIRING DIAGRAM		P2(TARGET)	
P1(HOST)	SIGNAL	PIN NO.	SIGNAL
S1	RX0+	31	TX0+
S2	RX0-	30	TX0-
S3	RX1+	25	TX1+
S4	RX1-	24	TX1-
S5	RX2+	12	TX2+
S6	RX2-	11	TX2-
S7	RX3+	6	TX3+
S8	RX3-	5	TX3-
S9	TX3-	3	RX3-
S10	TX3+	2	RX3+
S11	TX2-	9	RX2-
S12	TX2+	8	RX2+
S13	TX1-	22	RX1-
S14	TX1+	21	RX1+
S15	TX0-	28	RX0-
S16	TX0+	27	RX0+
G1-G9	GROUND	GND	GROUND
		14-19	NC

P2 GND GROUND:
 1,4,7,10,13,20
 23,26,29,32

DataStorageCables.com

DESC.	4X LATCH TYPE TO SAS 4i CABLE ASS'Y	APPROVED	CHECKED	DESIGNED	TOLERANCE	SCALE	UNIT
P/N	C5232-1ML	CUSTOMER P/N	C5232-1ML	Sino		DATE	05/04/'12
						DWG NO:	DWG\B\3968