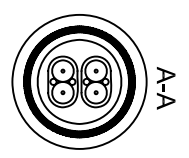
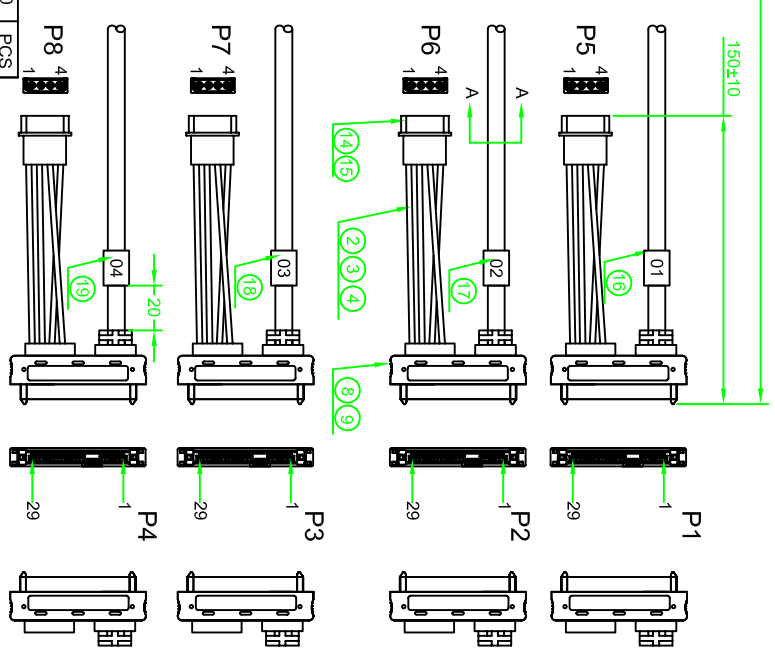
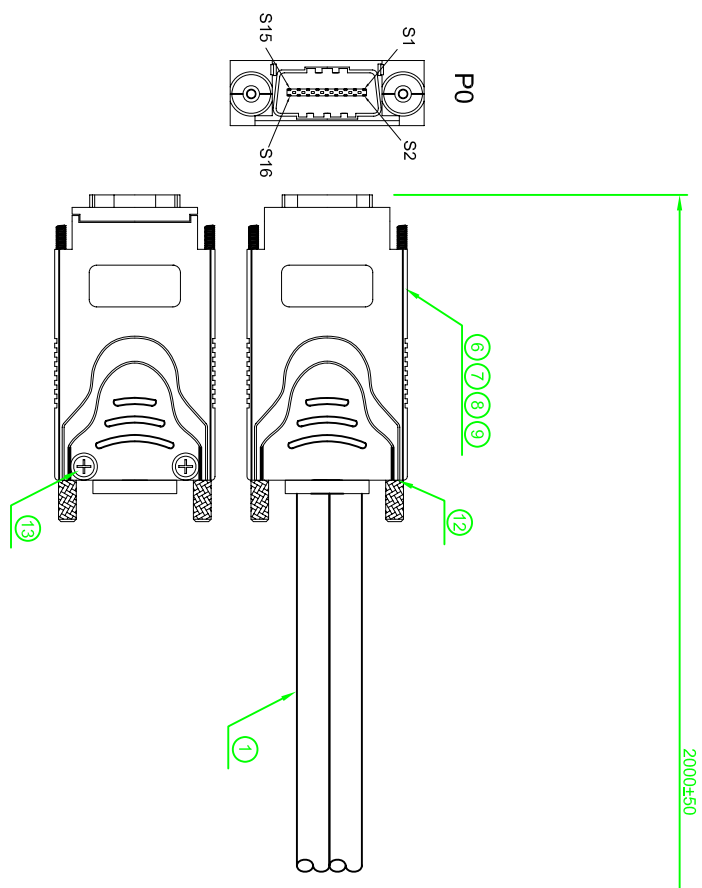


PART NO. MD-6696095

CUSTOMER DRAWING

REVISIONS			
LTR	DESCRIPTION	DATE	APPROVED
A0	Initial Release for Manufacture	OCT.24.07	Jerry,Duh
A1	Change Pin Assignment	OCT.30.07	Jerry,Duh

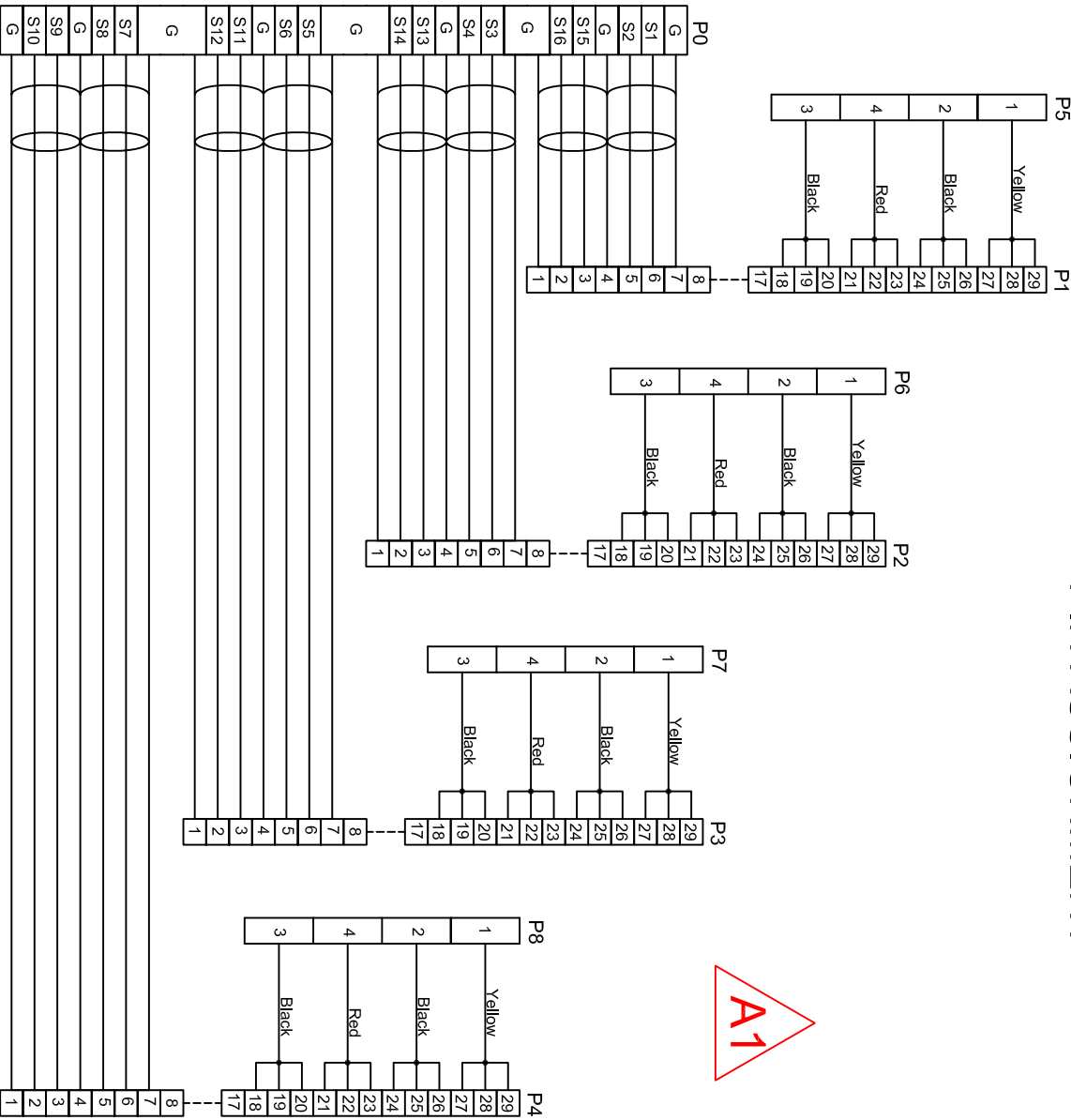


*	4-18-0001-463020	CARTON 46"X30"X20cm	1/40	PCS
*	4-14-0004-302851	PE BAG 30"X28"X0.08mm	1/40	PCS
*	4-14-0001-060851	PE BAG 6"X6"X0.06mm	1	PCS
*	4-16-0005-100010	TIE WHITE	100	mm
*	4-22-0028-071504	LABEL "04" TRANSLUCENT BOTTOM WHITE WOLD	1	PCS
18	4-22-0027-071503	LABEL "03" TRANSLUCENT BOTTOM WHITE WOLD	1	PCS
17	4-22-0026-071502	LABEL "02" TRANSLUCENT BOTTOM WHITE WOLD	1	PCS
16	4-22-0025-071501	LABEL "01" TRANSLUCENT BOTTOM WHITE WOLD	1	PCS
15	4-19-A006-508501	5085 MALE TERMINAL	16	PCS
14	4-19-B006-508551	5085 FEMALE 4P HOUSING	4	PCS
13	4-13-0028-254551	OVAL HEAD SCREW M2.5*0.45	2	PCS
12	4-13-0027-254551	THUMBSCREW M2.5*0.45	2	PCS
11	3-02-0001-532151	PE8321	6	G
10	3-01-0001-005001	PVC 50P BALCK	12	G
9	3-02-0002-086701	TRL-THERMELT-867	2	G
8	2-67-0004-010351	INFINIBAND TOP SHELL KIT (4X SCREW), ZINC ALLOY SHELL NICKEL PALTED	1	PCS
7	2-67-0002-010351	INFINIBAND BOTTOM SHELL KIT (4X SCREW), ZINC ALLOY SHELL NICKEL PALTED	1	PCS
6	2-67-0001-004X51	INFINIBAND 4X CONNECTOR	1	PCS
5	2-66-A009-000301	SAS 29P/FEMALE CONTACT GOLD PLATED 19U", 180° H.S LCP BLACK	4	PCS
4	1-57-0083-610203	UL1007 22# RED	150*4	mm
3	1-57-0081-610201	UL1007 22# BLACK	150*8	mm
2	1-57-0007-610205	UL1007 22# YELLOW	150*4	mm
1	1-61-0018-200201	(30#*2C+AL+2D)*2C+AB OD:4.5mm BK ULZ1149	2000*4	mm

NO.	PART NO.	DESCRIPTION	Q'TY	UNIT
DO NOT SCALE DRAWING				
APPROVALS		DATE	DataStorageCables.com	
DRAWN: Rovert		OCT.30.07	INFINIBAND 4x With Screw TO 4(SAS29P/F+POWER)	
CHECKED:			SCALE: 1:1	
LIB: Hu		OCT.30.07	DRAWING NO. C5229-2MTC	
			REV. A1	
			SHEET 1 OF 2	

CUSTOMER DRAWING

PIN ASSIGNMENT



REVISIONS			
LTR	DESCRIPTION	DATE	APPROVED
A0	Initial Release for Manufacture	OCT.24.07	Jenny Duh
A1	Change Pin Assignment	OCT.30.07	Jenny Duh

DIMENSION AND TOLERANCES ARE IN MILLIMETERS		APPROVALS		DATE	
TOLERANCES ARE:		DRAWN		OCT.30.07	
DECIMALS	ANGLES	ROVEN			
XX.X	° 0'00				
DIMENSION IN BRACKET [XX.X]					
ARE IN INCHES TOLERANCES ARE:					
DECIMALS	ANGLES	CHECKED			
XX.X	°	LHV, HU		OCT.30.07	
DO NOT SCALE DRAWING					
DataStorageCables.com			ID NO. C5229-1MTC SHEET 2 OF 2		
INFINIBAND 4x With Screw			DRAWING NO. C5229-2MTC		
TO 4(SAS29P/F+POWER)			REV. A1		
SIZE	SCALE	DRA		REV.	
C	XX : XX	C5229-2MTC		A1	