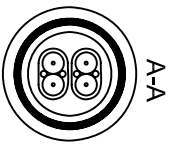
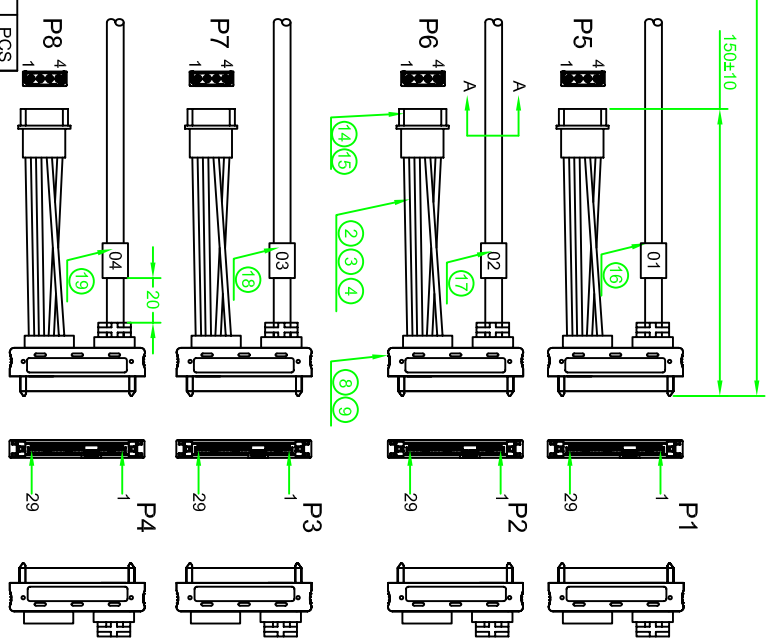
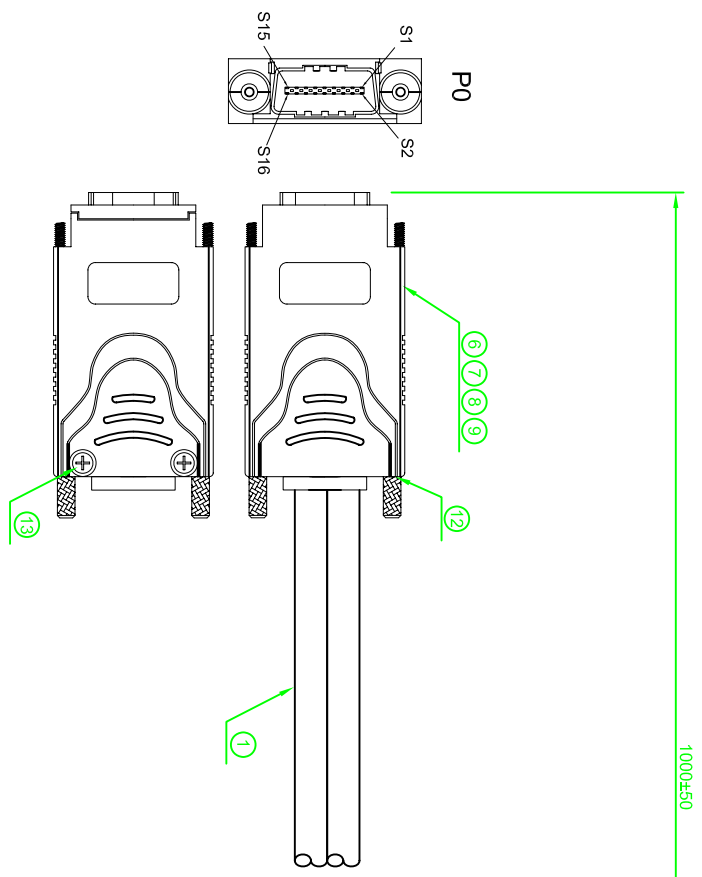


CUSTOMER DRAWING

REVISIONS			
LTR	DESCRIPTION	DATE	APPROVED
A0	Initial Release for Manufacture	OCT.24.07	Jenny,Duh
A1	Change Pin Assignment	OCT.30.07	Jenny,Duh



*	4-18-0001-463020	CARTON 46"30"20cm	1/40	PCS
*	4-14-0004-302851	PE BAG 30"28"0.08mm	1/40	PCS
*	4-14-0001-060851	PE BAG 6"8"0.06mm	1	PCS
*	4-16-0005-100010	TIE WHITE	100	mm
*	4-22-0028-071504	LABEL "04" TRANSLUCENT BOTTOM WHITE WOLD	1	PCS
18	4-22-0027-071503	LABEL "03" TRANSLUCENT BOTTOM WHITE WOLD	1	PCS
17	4-22-0026-071502	LABEL "02" TRANSLUCENT BOTTOM WHITE WOLD	1	PCS
16	4-22-0025-071501	LABEL "01" TRANSLUCENT BOTTOM WHITE WOLD	1	PCS
15	4-19-A006-508501	5085 MALE TERMINAL	16	PCS
14	4-19-B006-508551	5085 FEMALE 4P HOUSING	4	PCS
13	4-13-0028-254551	OVAL HEAD SCREW M2.5*0.45	2	PCS
12	4-13-0027-254551	THUMBSCREW M2.5*0.45	2	PCS
11	3-02-0001-532151	PE3321	6	G
10	3-01-0001-405001	PVC 50P BLACK	12	G
9	3-02-0002-086701	TRL-THERMELT-867	2	G
8	2-67-0004-010351	INFINIBAND TOP SHELL KIT (4X SCREW), ZINC ALLOY SHELL NICKEL PALTED	1	PCS
7	2-67-0002-010351	INFINIBAND BOTTOM SHELL KIT (4X SCREW), ZINC ALLOY SHELL NICKEL PALTED	1	PCS
6	2-67-0001-4004X51	INFINIBAND 4X CONNECTOR	1	PCS
5	2-66-A009-000301	SAS 29P/FEMALE CONTACT GOLD PLATED 15U", 180° HS LCP BLACK	4	PCS
4	1-57-0083-610203	UL 1007 22# RED	150*4	mm
3	1-57-0081-610201	UL 1007 22# BLACK	150*4	mm
2	1-57-0007-610205	UL 1007 22# YELLOW	150*4	mm
1	1-61-0018-200201	(30#*2C+AL+2D)*2C+AB OD:4.5mm BK UL21149	1000*4	mm

DIMENSION ARE IN MILLIMETERS		DIMENSION ARE IN INCHES	
DECIMAL	FRACTION	DECIMAL	FRACTION
0.1	1/16	0.001	1/1000
0.2	1/8	0.002	1/500
0.5	1/4	0.005	1/200
1	1/2	0.01	1/100
2	1	0.02	1/50
5	1/20	0.05	1/20
10	1/10	0.1	1/10
20	1/5	0.2	1/5
50	1/2	0.5	1/2
100	1	1	1

DataStorageCables.com
INFINIBAND 4x With Screw
TO 4(SAS29P/F+POWER)

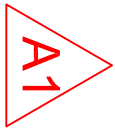
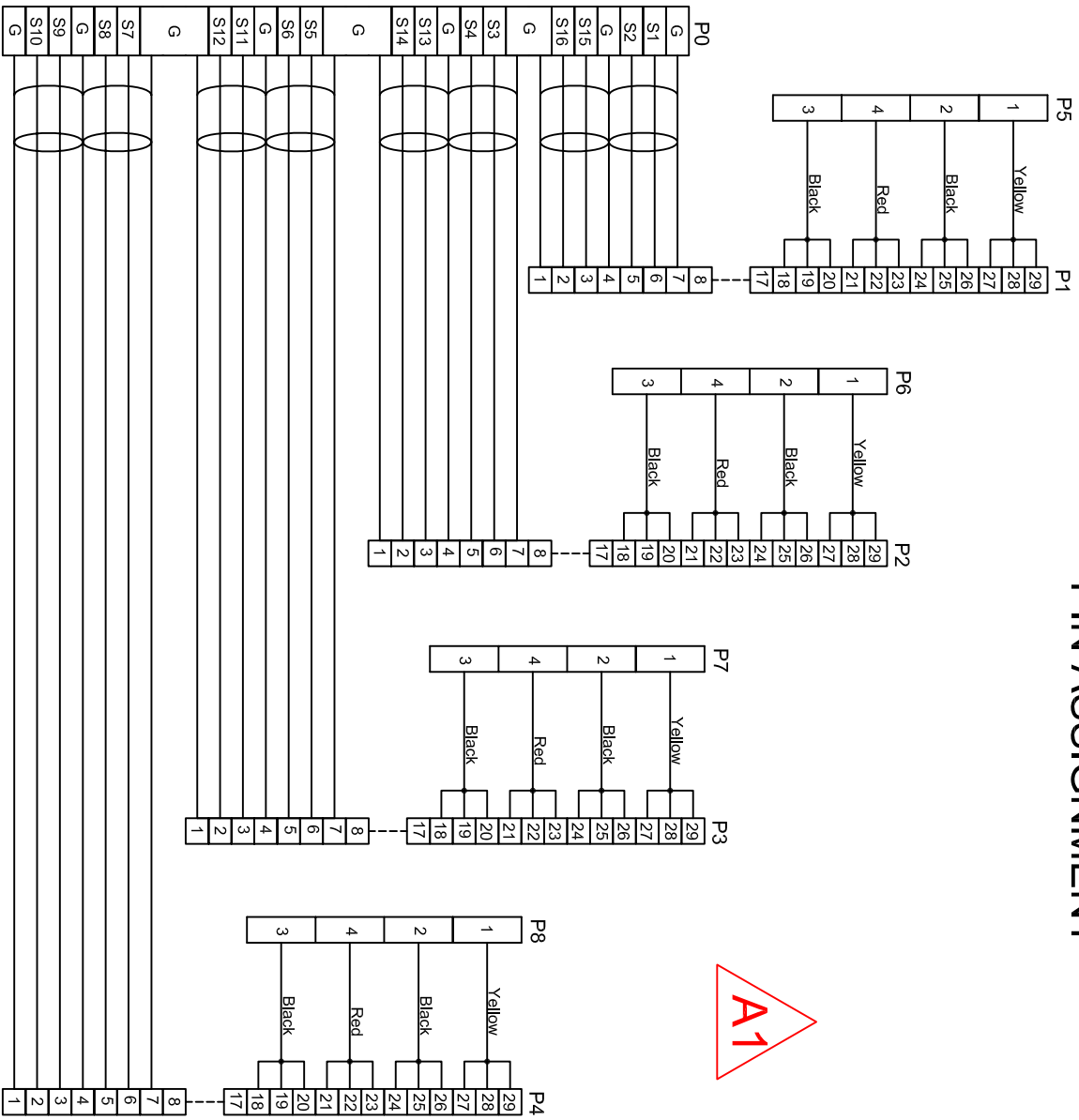
APPROVALS: _____ DATE: OCT.30.07
 DRAWN: Roven
 CHECKED: _____
 Lby/Hu

SIZE: Cxx : xx
 SCALE: C5229-1MTC
 DRAWING NO. C5229-1MTC
 REV. A1

ID NO. C5229-1MTC SHEET 1 OF 2

CUSTOMER DRAWING

PIN ASSIGNMENT



REVISIONS			
LTR	DESCRIPTION	DATE	APPROVED
A0	Initial Release for Manufacture	OCT 24,07	Jenny Duh
A1	Change Pin Assignment	OCT 30,07	Jenny Duh

DIMENSION AND TOLERANCES DIMENSIONS ARE IN MILLIMETERS DECIMALS ARE IN MILLIMETERS TOLERANCES ARE: XX.X ± 0.20 XX.XX ± 0.10		APPROVALS	DATE	DataStorageCables.com
DIMENSION IN BRACKET (X.XX) ARE IN INCHES TOLERANCES ARE: XX.X ± 0.005 XX.XX ± 0.002		DRAWN Rover	OCT 30,07	
DIMENSION IN BRACKET (X.XX) ARE IN INCHES TOLERANCES ARE: XX.X ± 0.005 XX.XX ± 0.002		CHECKED		INFINIBAND 4x With Screw TO 4(SAS29P/F+POWER)
DO NOT SCALE DRAWING		CHECKED Liby, Hu	OCT 30,07	
DRAWING NO. C5229-1MTC		SCALE: XX : XX	DRAWING NO. C5229-1MTC	REV. A1
ID NO. C5229-1MTC		SHEET 2 OF 2		